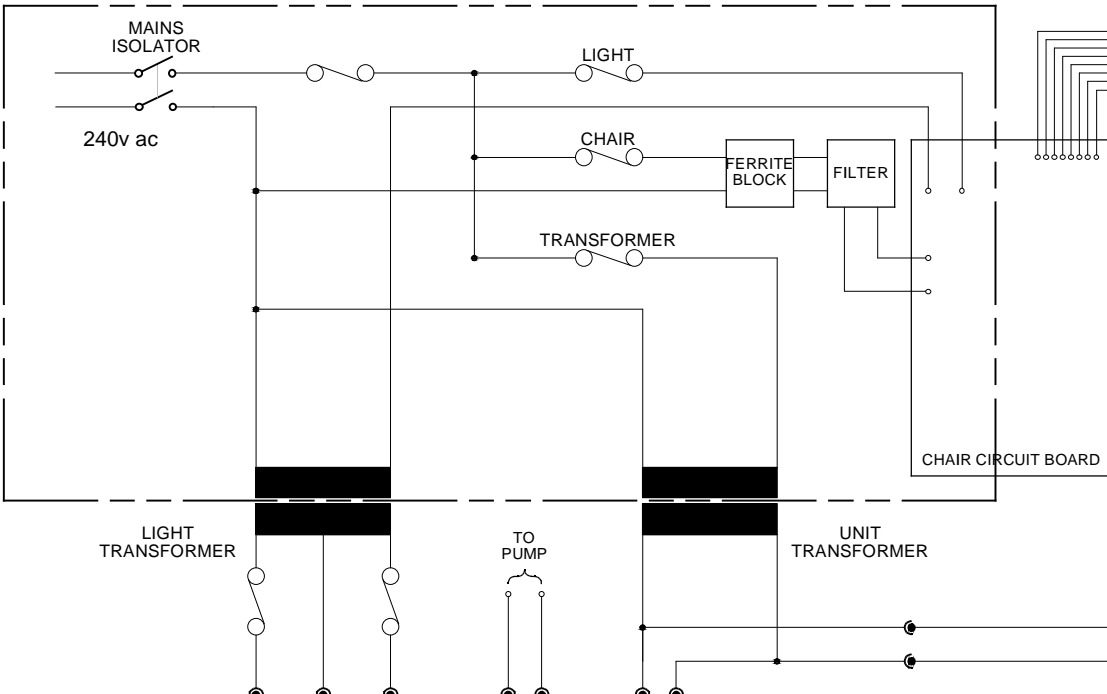
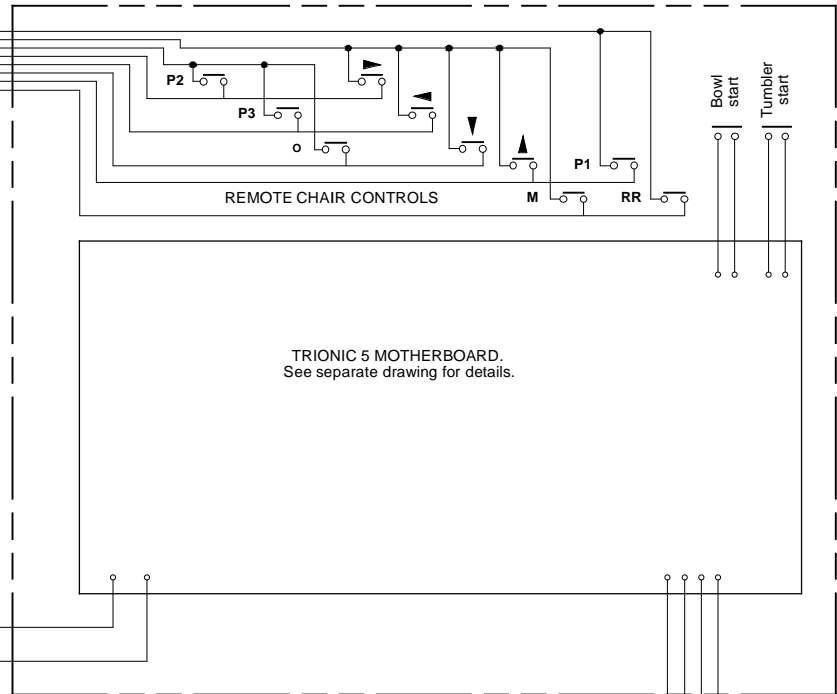


WIRING DIAGRAM FOR CONTOUR NEXT PACKAGE. MODEL CTR 3N Fitted with Dürr spittoon valve and Vision operating light.

MAINS VOLTAGE COMPONENTS WITHIN CHAIR



TRIONIC 5 DENTAL UNIT



CSM SPITTOON

